

KalyxX¹⁰⁰ MINI

Water filter with 99.99%
limescale prevention

Purifies Water.
Prevents Limescale.
2-in-1 Power

- 99.99% EFFICIENT LIMESCALE PREVENTION
- FILTERS MUD AND RUST (75 µm)
- INSERT LIFESPAN 12 MONTH OR 22 000 LITRES
- DURABLE METAL BODY
- EASY TO USE



- Protects your home appliances from limescale
- Reduces detergent consumption and increases its efficiency
- Enhances the longevity of your appliances
- No need for anti-limescale agents when washing

IPS KalyxX 100 mini

- **Effective protection against limescale** – confirmed 99,99% in limescale reduction: LDS technology prevents the formation of limescale through weak electrical interactions with mineral ions.
- **Effectively filtering** impurities, rust, mud and other large particles in the water.
- **Long lifespan:** The filter is effective for 22,000 liters of water, and its efficiency lasts up to 12 months, providing cost-effective protection.
- **Easy installation and replacement** of the filter cartridge.
- **Rust-proof and corrosion-resistant** - made of metal and stainless steel.
- **Alternative to polyphosphates:** Unlike conventional polyphosphates, which can leave undesirable residues in some cases, this filter does not affect the chemical composition of water and does not cause pollution.



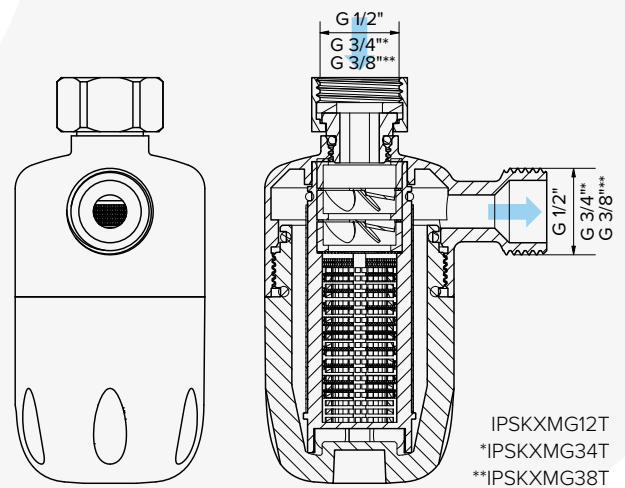
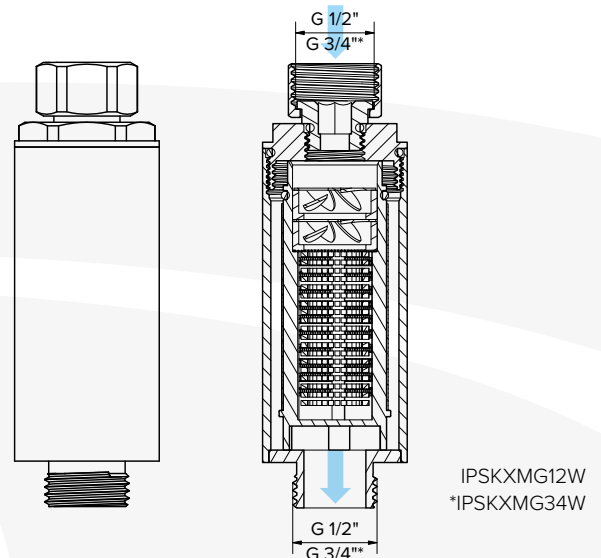
◀ Comparison of action in water after 12 hours: on the left, the medium used in KalyxX 100 mini, on the right, polyphosphates.



Without water treatment.



After water treatment via IPS KalyxX 100.



Technical parameters

IPS KalyxX 100 mini		Filter accuracy	Water flow rate	Rated working pressure	Ambient temperature	Maximum water hardness	Lifespan
1/2" IPSKXMG12W 3/4" IPSKXMG34W	mini filter linear	75 µm	0.9 m³/h	0.75 MPa	1°C - 50 °C	< 56 °dH (10 mmol/l)	
1/2" IPSKXMG12T 3/8" IPSKXMG38T 3/4" IPSKXMG34T	mini filter angle	75 µm	0.9 m³/h	0.75 MPa	1°C - 50 °C	< 56 °dH (10 mmol/l)	
IPSKXMININSERT	replacement insert	75 µm	0.9 m³/h	0.75 MPa	1°C - 50 °C	< 56 °dH (10 mmol/l)	12 months or 22.000 litres

It is recommended to clean the filter element once every three months (depending on the actual water consumption, raw water quality, etc.).